

# AURORALIGHT

PROJECT: \_\_\_\_\_

SKU #: \_\_\_\_\_

TYPE: \_\_\_\_\_

## AGAVE

HCS100432

The Agave is the smallest in our line of diverse LED pendant luminaires. Ideal when used as a discrete light source in tree canopies. Used in strings for subtle illumination of outdoor dining areas or intimate plazas.

- Cree LED™ XLAMP® High Density (XP-L)
- Thermally Integrated® w/ Copper Core Technology®
- Solid brass construction
- Ideal for trees, patios and architectural features

CONFIGURATOR:

HCS100432	LED	FINISH
	<input type="text"/>	<input type="text"/>
<b>( ) = Most common configuration</b>	<b>(2703) 2700K 3W</b> (3003) 3000K 3W	<b>(NAT) Natural Brass</b> <b>(BLP) Bronze Living Patina</b> <b>(BLPX) Extra Dark BLP</b> <b>(NI) Nickel PVD</b>



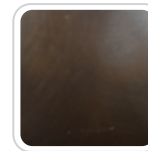
AVAILABLE FINISHES:



NAT  
Natural Brass



BLP  
Bronze Living Patina

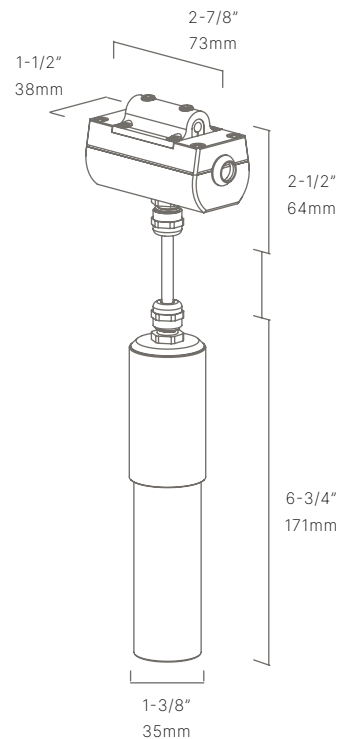


BLPX  
Extra Dark Bronze Living Patina



NI  
Nickel PVD

FIXTURE DIMENSIONS	L6-3/4" x D1-3/8"
LIGHT SOURCE	Integrated LED
COLOR TEMPERATURES	2700K, 3000K
WATTAGES	3W
CRI (RA)	80 CRI
VOLTAGE	12V
DELIVERED LUMENS	180lm (3000K)
DIMMABLE	Yes, Dim to <10% via Transformer
DRIVER	Yes, 12V Integral Constant Current
TRANSFORMER	No, 12V AC/DC Transformer Required
MOUNT	Included J-Box
FINISH	Included Natural Brass
MATERIAL	Brass
LOCATION	Exterior Wet
CERTIFICATIONS	UL, IP66, IP67, Dark Sky
HOW TO SPECIFY	Call 760.931.2910



\*For complete warranty terms, please visit: [www.auroralight.com/warranty/](http://www.auroralight.com/warranty/)

P. 760.931.2910

O. 2742 Loker Ave. W Carlsbad CA 92010

W. [www.auroralight.com](http://www.auroralight.com)

MADE IN USA  
WITH DOMESTIC & IMPORTED MATERIALS



# AUORALIGHT

PROJECT:

SKU #:

TYPE:

P. 760.931.2910

O. 2742 Loker Ave. W Carlsbad CA 92010

W. [www.auroralight.com](http://www.auroralight.com)

MADE IN USA  
WITH DOMESTIC & IMPORTED MATERIALS

